

LANE3200

Presentation:

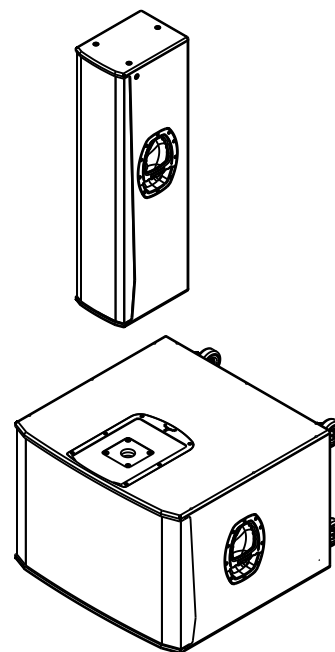
LANE is a versatile self-powered system endowed with high quality components designed to deliver superb sound and offering an exceptional performance in a wide variety of applications.

The LANE18 is an active subwoofer equipped with an extended low frequency 18" transducer (4in VC) created to provide higher maximum SPL, increased program power handling and lower power compression able to withstand high power levels without damage.

The column speaker is birch plywood constructed and features a vertical array assembly of 4x 6" (1.46in) EU transducers combined with a 1.4" (2.56in) Neodymium HF driver coupled to a true wave guide horn with 100°x 25° dispersion that ensures consistent and long range projection with very low distortion levels.

The latest in Class D amplifier technology is incorporated with a 2-channel Class D amplifier and a DSP for real time operation and 4 user-selectable presets according to different environments and music styles providing an acoustically perfect transition between the subwoofer and the mid/high array assembly. The class D amplifier is prepared for 85-264Vac global mains voltage (SMPS with PFC) and features various electronic protections to guarantee the use of the speaker system in perfect sound and safe operation.

The LANE3200 is the preferred choice for applications where high pressure levels and exceptional sound quality are needed for a wide range of applications such as live, portable and permanent installation fields. There is a wall mount bracket available to allow permanent installation.



Features:

- Active and dynamic "all-in-one" column PA system
- Powerful, accurate and compact set
- 18" (4in VC) extended LF active subwoofer
- 4x 6" (1.46in VC) MF + 1.4" (2.56in VC) HF passive column speaker
- Subwoofer driven by a 2-channel Class D amplifier
- Fully programmable DSP with selectable presets (4)
- Universal 85-264Vac mains, all electronic protections
- Ø35mm pole mount socket on both elements
- Rugged and durable 18/15mm birch plywood with polyurea coating
- Flying frame and "couple" frame for T406

Technical specifications:

Acoustical

Type	Active column PA system
Enclosure design	Bass reflex [LANE18] Bass reflex [LANE T406]
Power rating (RMS/Peak)	1200W / 4800W [LANE18] 500W / 1200W [LANE T406]
Frequency range	38 - 20kHz (-10dB)
Nominal impedance	N/A
Transducer type	18" (4in VC) LF EU transducer [LANE 18]
Dispersion	4x 6" (1.46in VC) MF + 1.4" (2.56in VC) neo HF EU transducer [LANE T406]
Crossover frequency	DSP controlled with selectable presets 48KHz sampling frequency 24 bit AD/DA converter
SPL (1W/1kHz)	136dB @ 1m

Mechanical

Enclosure	18mm birch plywood [LANE18] 15mm birch plywood [LANE T406] Rugged polyurea coating
Grille	Custom perforated metal grilles w/ acoustic foam
Color	Black or white textured
Hardware	4 wooden feet, 4 recessed [LANE18] 2 side handles [LANE18] Ø35mm pole mount socket on both speakers 3x M10 inserts for rigging [LANE T406] Wall mount support (WSL) for [LANE T406] Flying frame and "couple frame" [LANE T406]
Dimensions	750x720x540mm / 29.53x28.35x21.26in [LANE18] 220x310x995mm / 8.66x12.20x39.17in [LANE T406]
Weight	59Kg / 130.07 [LANE18] 28Kg / 61.73lb [LANE T406]



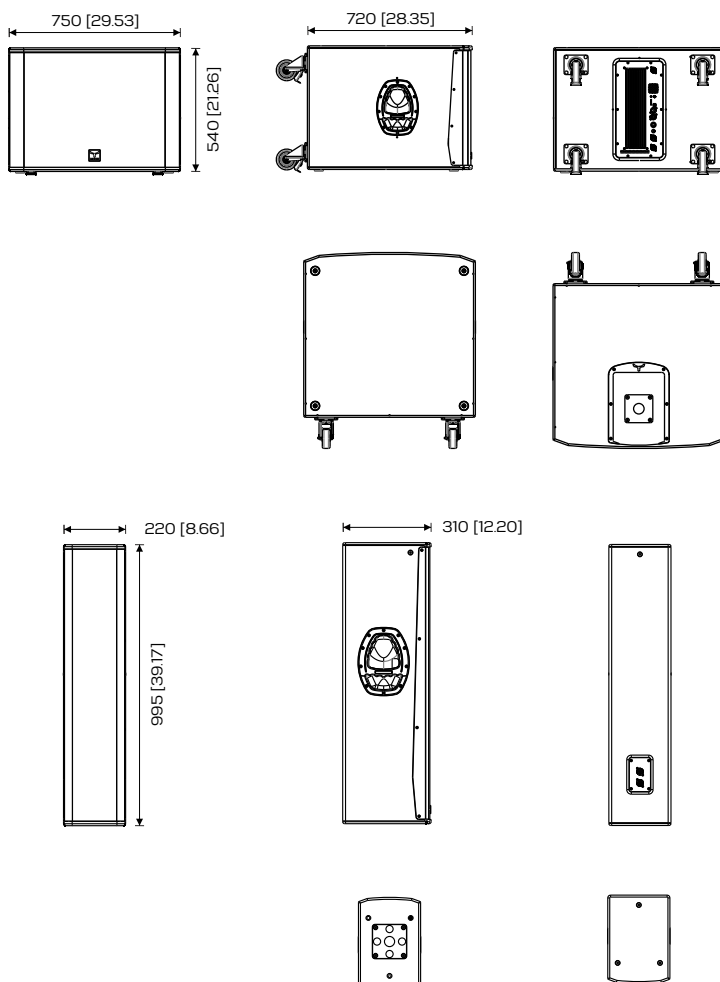
LANE3200

Technical specifications:

Amplifier Module

Type	Two channel Class D
Output Power	3000W + 1500W / 4ohm Expandable system
Internal Processing	Fully programmable DSP 48KHz sampling frequency 24 bit AD/DA converter
Audio input/output	XLR/Jack combo connector XLR/M 3p
Cooling	Cooling by convection
Indicators	Power, signal/preset, status, clip
Controls	Master level control, 4 selectable presets
AC Mains	SMPS with PFC, 85-264Vac universal mains
AC Mains connector	Neutrik® powerCON, Power-in/Power-out
Protections	Over current, short circuit, thermal, DC and HF

Dimensions:



Dimensions in mm [in]

