

# G1810A

## Presentation:

The BASS-F series offers a professional passive/active flyable subwoofers range becoming the perfect choice for sound reinforcement challenges demanding high SPL and natural-sounding bass response designed to enhance the ultra-low bass of an existing PA system.

This G1810A is on a bass reflex configuration and constructed of 18mm birch plywood featuring a 18" loudspeaker with 4" voice coil delivering a nominal power handling of 1200W rms at 8 Ohms each giving low-ranging yet clearly defined bass response and rendering impulses with great accuracy in a very compact and robust enclosure.

As self-powered system, the G1810A incorporates a single channel Class D amplifier and a DSP for real time operation according to different environments and music styles. With 4 user-defined presets than can be selected on the rear panel, the class D amplifier is prepared for 85-264Vac global mains voltage (SMPS with PFC) and features various electronic protections to guarantee the use of the speaker system in perfect sound and safe operation.

A perforated steel grille protects the loudspeaker and there are two side handles as well as four points in the rear for castors mounting. The enclosure has an integrated rigging system flyware and Ø9.8mm ball pins w/ stainless steel lanyard with PVC to facilitate ease of mounting and there is a metal rigging frame that allows the system to be used ground stacked or individually flown to increase its versatility combined with the LA88 (2x 8" line array speaker).

## Features:

- Bass reflex & flyable PASSIVE subwoofer
- Suited for 1x 10" line array speaker - LA10
- 1x 18" (4in VC) LF EU transducer, 1200W AES
- Single channel Class D amplifier with integrated DSP
- Universal 85-264Vac mains, SMPS with PFC
- Optimized for high SPL output
- Made for an impact bass
- Prepared for stacking and flying operation
- Rugged and durable 15mm birch plywood
- Powder coated custom perforated steel grille

## Technical specifications:

### Acoustical

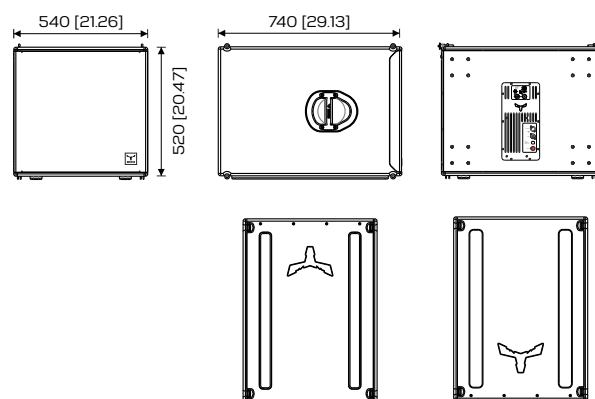
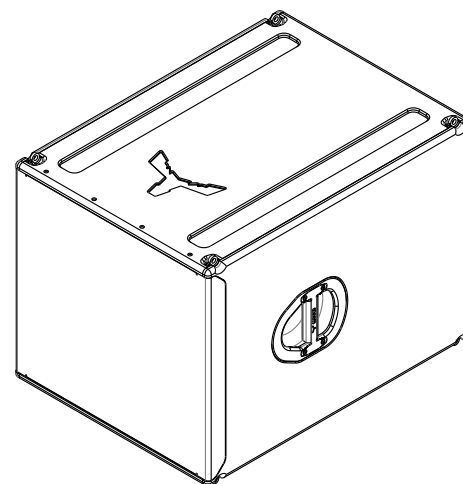
Type	Flyable and compact passive subwoofer
Enclosure design	Bass reflex
Power rating (RMS/Peak)	1200W / 4800W
Frequency range	32 - 200Hz (-10dB)
Nominal impedance	N/A
Transducer type	1x 18" LF (4in VC) EU transducer
Crossover frequency	35Hz Butterworth 18dB (low cut filter)
SPL (1W/1kHz)	132dB @ 1m
Connector	N/A

### Mechanical

Enclosure	18mm birch plywood, rugged polyurea coating
Grille	Custom perforated metal grilles w/ acoustic foam
Color	Black or white textured
Hardware	Integrated rigging flyware Ø9.8mm ball pins w/ stainless steel lanyard with PVC 2 wood feet, 2 recessed side handles Prepared for castors and for stacking
Dimensions	540x740x520mm   21.26x29.13x20.47in
Weight	56Kg   126.46lb

### Amplifier Module

Type	Single channel Class D
Output Power	3200W / 8ohm
Internal Processing	Fully programmable DSP 48KHz sampling frequency 24 bit AD/DA converter
Audio input/output	XLR/Jack combo connector XLR/M 3p
Indicators	Power, signal/preset, status, clip
Controls	Master level control, 4 selectable presets
AC Mains	SMPS with PFC, 85-264Vac universal mains
AC Mains connector	Neutrik® powerCON, Power-in/Power-out
Protections	Over current, short circuit, thermal, DC and HF



Dimensions in mm [in]

